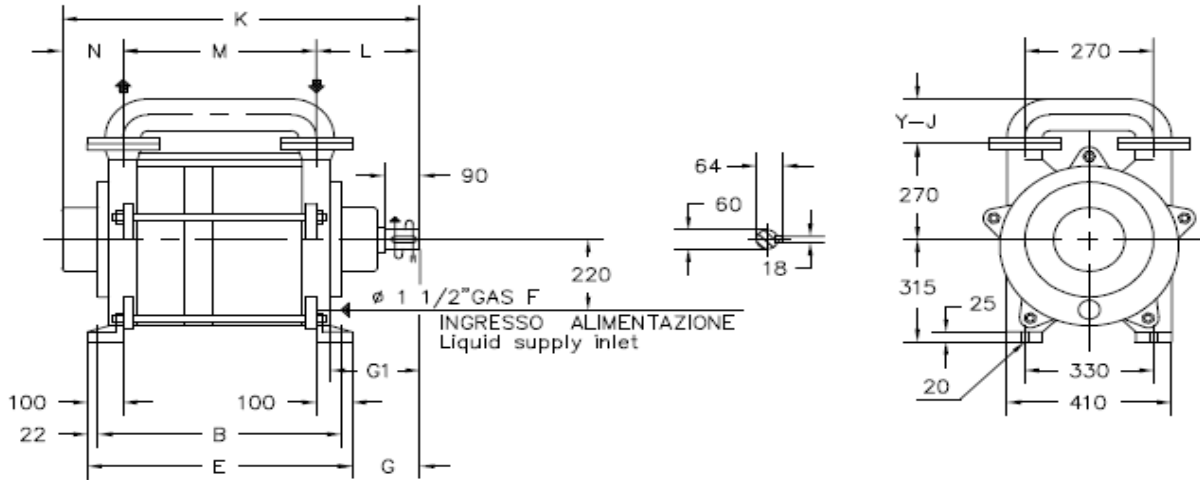
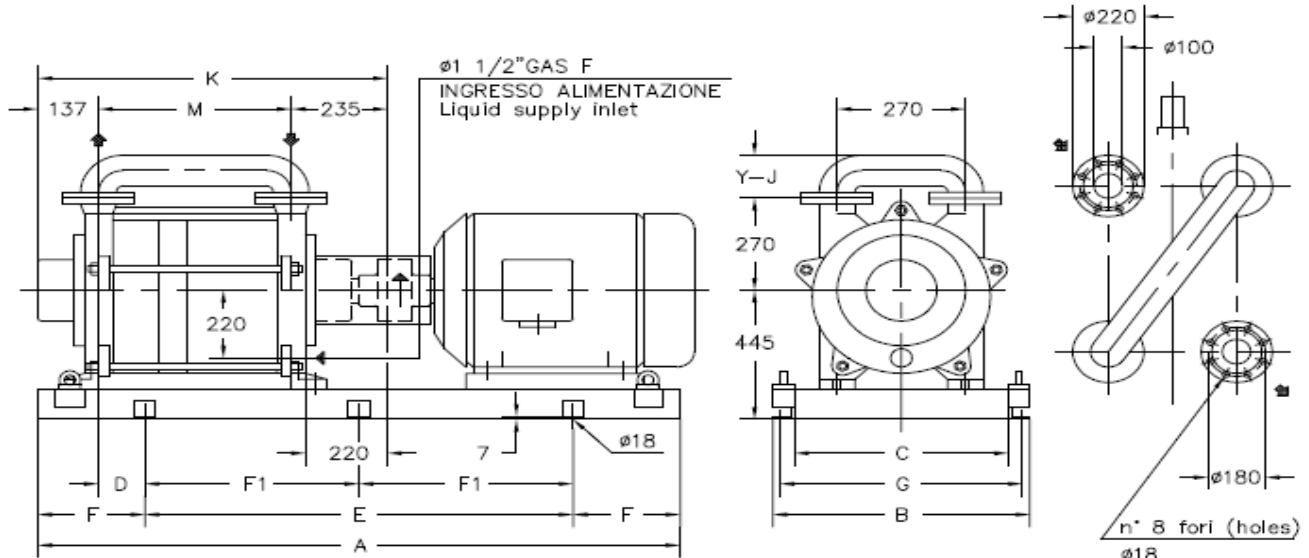


Вакуумный насос TRHE 100-1260
Исполнение без рамы и электродвигателя.


| POMPA TIPO Pump type | B | E | M | Y | J | G | G1 | K | L | N | PESO Weight |
|-------------------------|-----|-----|-----|-----|-----|-----|-----|------|-----|-----|----------------|
| TRHE 100-870 | 672 | 716 | 546 | | | | | 918 | | | 412 |
| TRHE 100-1260 | 822 | 866 | 696 | 207 | 225 | 150 | 220 | 1068 | 235 | 137 | 485 |
| TRHE 100-1600 | 922 | 966 | 796 | | | | | 1168 | | | 518 |

Исполнение на раме.


| POMPA TIPO Pump type | MOTORE A 6 POLI 6 Poles Motor UNEL-MEC-B3 | | BASE Base-plate N° | POMPA Pump | | | | | | | | | | | PESO Weight ① | | | | | | | | | | | | | | |
|-------------------------|---|----|--------------------------|---------------|-----|-----|-----|------|-----|-----|-----|------|-----|-----|---------------------|---|--|-----|--|-----|--|--|--|--|--|--|--|--|-----|
| | TIPO/Type | KW | | A | B | C | D | E | F | F1 | G | K | M | Y | | J | | | | | | | | | | | | | |
| TRHE 100-870/C | 225 M | 30 | 034 | 1700 | 590 | 450 | 90 | 1100 | 300 | - | 540 | | | | | | | 574 | | | | | | | | | | | |
| | 250 M | 37 | 042 | 1800 | 640 | 500 | 80 | 1400 | 200 | 700 | 590 | 918 | 546 | | | | | 572 | | | | | | | | | | | |
| | 280 S | 45 | | | | | 0 | | | | | | | | | | | 584 | | | | | | | | | | | |
| | 280 M | 55 | | | | | | | | | | | | | | | | 652 | | | | | | | | | | | |
| TRHE 100-1260/C | 250 M | 37 | 039 | 2150 | 680 | 540 | 40 | 1600 | 275 | 800 | 630 | 1068 | 696 | 207 | 225 | | | 657 | | | | | | | | | | | |
| | 280 S | 45 | | | | | | | | | | | | | | | | | | | | | | | | | | | 657 |
| | 280 M | 55 | | | | | | | | | | | | | | | | | | | | | | | | | | | |
| TRHE 100-1600/C | 250 M | 37 | | | | | 150 | | | | | 1168 | 796 | | | | | 690 | | | | | | | | | | | |
| | 280 S | 45 | | | | | | | | | | | | | | | | | | 690 | | | | | | | | | |
| | 280 M | 55 | | | | | | | | | | | | | | | | | | 690 | | | | | | | | | |

Вес указан без электродвигателя.